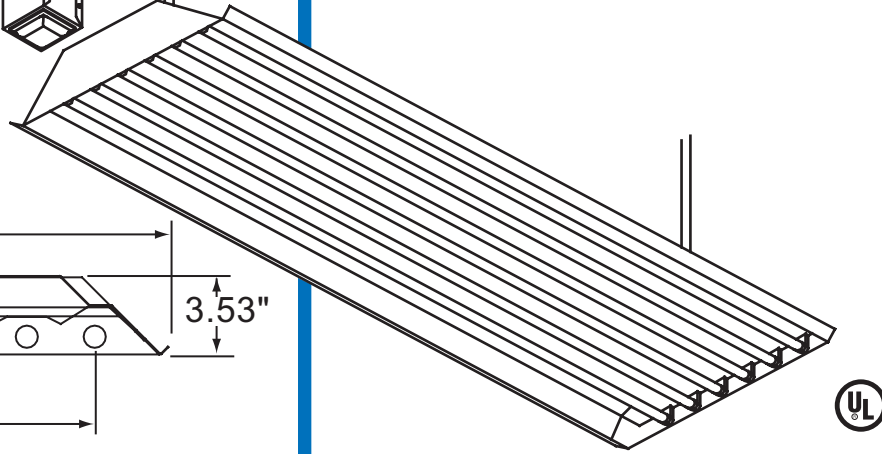
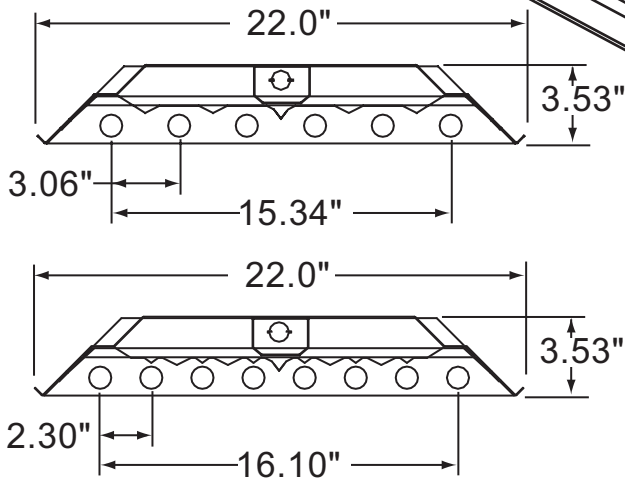


optional motion  
sensor



UNION MADE IN THE USA.

## ORDERING:

NOMINAL SIZE	LAMPS	CATALOG NUMBER
22"X 48"	8-FO32	808-*-848T8
22"X 48"	6-FO32	808-*-648T8
22"X 48"	8-FO32	808-*-848T5HO
22"X 48"	6-FO32	808-*-648T5HO

INSERT VOLTAGE AT END OF CATALOG NUMBER

## FEATURES:

- DESIGNED TO REPLACE HID FIXTURES
- COMES STANDARD WITH HIGH BALLAST FACTOR UNIVERSAL VOLTAGE
- FIXTURE HOUSING POST PAINTED IN A HIGH REFLECTANCE POWDER COAT FINISH
- T8 LAMP TECHNOLOGY ELIMINATES RESTRIKE DELAY AND MAINTAINS A HIGHER PERCENT OF RATED LUMENS
- PROVIDES 82 CRI, OPERATES COOLER AND USES SIGNIFICANTLY LESS ENERGY THAN HID'S
- REFLECTOR DESIGN PROVIDES MAXIMUM SYSTEM PERFORMANCE
- END MOUNTED EXTERNAL SENSOR
- 95% HIGH REFLECTANCE SPECULAR MIRROR REFLECTOR STANDARD
- POWDER COAT HIGH (92% OR BETTER ) REFLECTANCE REFLECTOR OPTIONAL
- OPTIONAL UPLIGHT

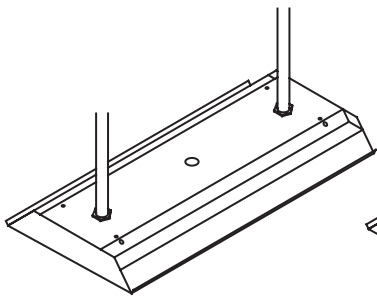
## NOTES:

1. SPECIFY MOUNTING REQUIREMENTS
2. SEE OPTIONAL MOUNTING SYSTEMS ON BACK DETAIL
3. \* "SR" SIGNIFIES SPECULAR REFLECTOR  
\* "PK" SIGNIFIES POWDER COAT REFLECTOR
4. OPTIONAL FACTORY INSTALLED MOTION SENSOR
5. OPTIONAL DOOR FRAME WITH LENS OR WIRE GUARD

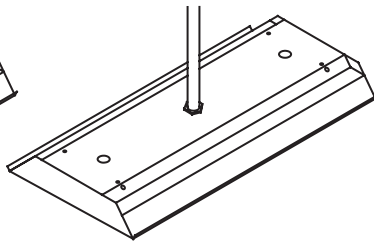
MANUFACTURING  
1715 KIBBY ROAD - MERCED - CALIFORNIA - 95340  
(209) 723-9120 - FAX: (209) 723-9131

SALES OFFICE  
14722 WICKS BLVD. - SAN LEANDRO - CALIFORNIA - 94577-6718  
(510) 667-6950 - FAX: (510) 667-6959

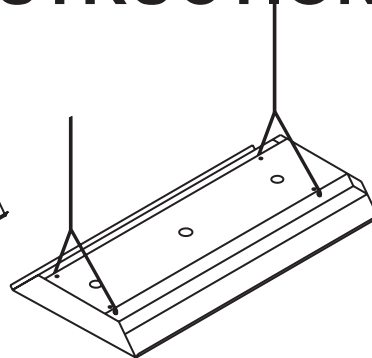
## PENDANT AND DOTTIE HANGER MOUNTING INSTRUCTIONS



DUAL PENDANT



SINGLE PENDANT

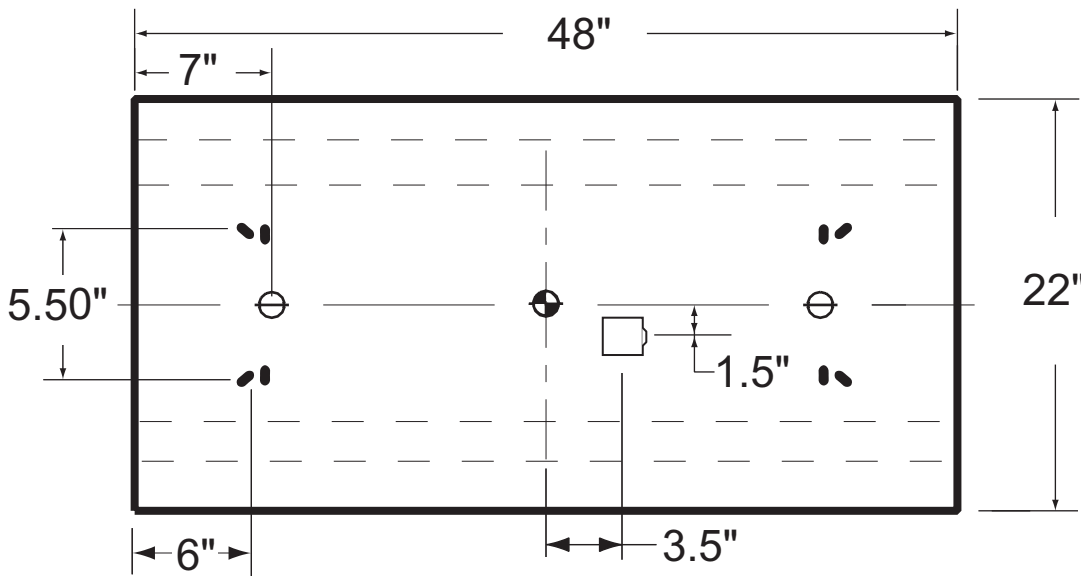


DOTTIE HANGER

**!!! WARNING !!!**  
 RISK OF FIRE OR ELECTRICAL SHOCK. ELECTRICAL PARTS MAY BE DAMAGED WHEN DRILLING OR USING "TEK" SCREWS FOR INSTALLATION OF MOUNTING HARDWARE. CHECK ENCLOSED WIRING AND COMPONENTS. USE CAUTION WHEN DRILLING "TEK" SCREWS INTO A BLIND AREA. TO PREVENT WIRING DAMAGE DO NOT EXPOSE WIRING TO SHARP EDGES.

**NOTE**  
 All fixtures must be installed, wired and grounded in accordance with the National Electric Code and all other applicable codes.

**NOTE**  
 NEVER hang or mount fixture from wire access plate. Always use industry standard mounting systems.

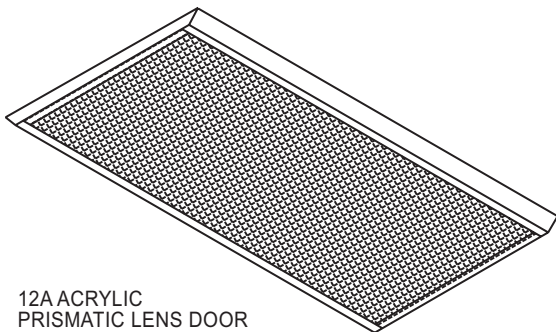


DOTTIE SLOT  
 7/8" K.O.  
 11/16" K.O.  
 WIRE ACCESS COVER PLATE  
**Back detail symbols**

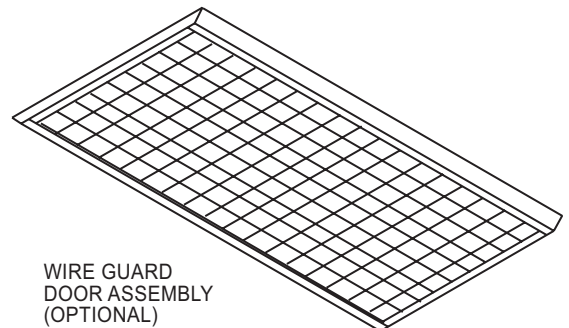
### ACCESSORIES

- HOOK
- HOOK MOUNTING PLATE
- 6' CORD
- PLUG

- 4-6' MOUNTING CHAIN W/ "S" HOOKS
- 4-3' MOUNTING CHAIN W/ "S" HOOKS
- 6' PENDANT MOUNTING KIT (CS150)
- 6' STEM W/ LOCK NUTS
- DOOR FRAME W/ 12A LENS
- DOOR FRAME W/ WIRE GUARD



12A ACRYLIC PRISMATIC LENS DOOR ASSEMBLY (OPTIONAL)



WIRE GUARD DOOR ASSEMBLY (OPTIONAL)

