

UNION MADE IN THE USA.

ORDERING:

NOMINAL SIZE	LAMPS	CATALOG NUMBER
2" X 5'	2-F040	237-260T8
2" X 5'	3-F040	237-360T8

INSERT VOLTAGE AT END OF CATALOG NUMBER

FEATURES:

- DESIGNED TO PROVIDE AN ENERGY EFFICIENT T8 ALTERNATIVE FOR REFRIGERATION LIGHTING
- FULLY ENCLOSED REMOTE MOUNTED BALLAST FOR EASE OF MAINTENANCE
- SNAP IN POWER AND BALLAST LEAD WHIPS INCLUDED
- CAN BE ORDERED WITH EITHER TWO OR THREE STRIP FIXTURES INCLUDED IN SYSTEM
- GALVANIZED STEEL HOUSING RESISTS RUSTING
- TOTALLY DIRECT DISTRIBUTION
- SPRING LOADED LAMP HOLDERS PROVIDE ADDED SAFETY

NOTES:

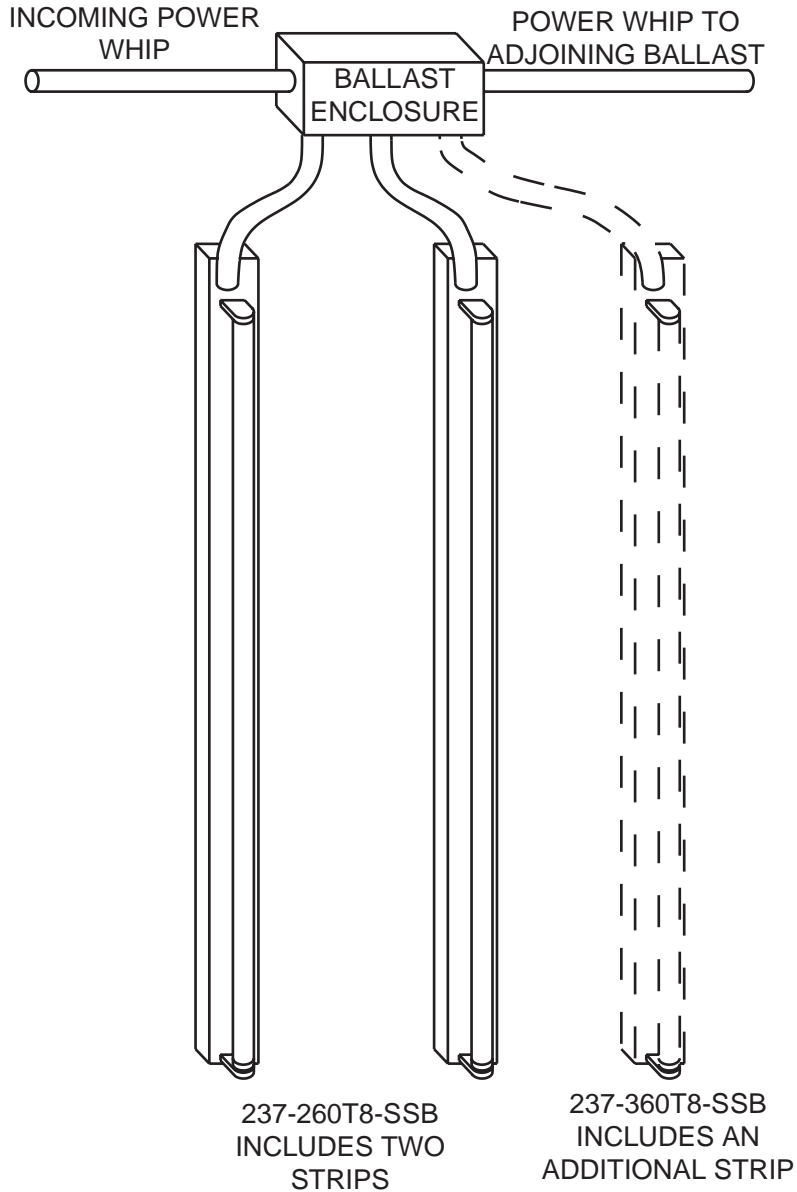
1. DESIGNED FOR SIDE MOUNTING TO RACK SYSTEM
2. AVAILABLE IN ONE LAMP CONFIGURATION ONLY
3. SEE BACK DETAIL FOR SYSTEM CONFIGURATION

series 237.ai
011122

MANUFACTURING
1715 KIBBY ROAD - MERCED - CALIFORNIA - 95340
(209) 723-9120 - FAX: (209) 723-9131

SALES OFFICE
14722 WICKS BLVD. - SAN LEANDRO - CALIFORNIA - 94577-6718
(510) 667-6950 - FAX: (510) 667-6959

SYSTEM CONFIGURATION



NOTE

All fixtures must be installed, wired and grounded in accordance with the National Electric Code and all other applicable codes.

!!! WARNING !!!

RISK OF FIRE OR ELECTRICAL SHOCK. ELECTRICAL PARTS MAY BE DAMAGED WHEN DRILLING OR USING "TEK" SCREWS FOR INSTALLATION OF MOUNTING HARDWARE. CHECK ENCLOSED WIRING AND COMPONENTS. USE CAUTION WHEN DRILLING "TEK" SCREWS INTO A BLIND AREA. TO PREVENT WIRING DAMAGE DO NOT EXPOSE WIRING TO SHARP EDGES.

