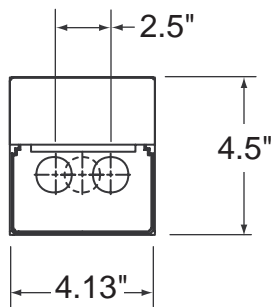
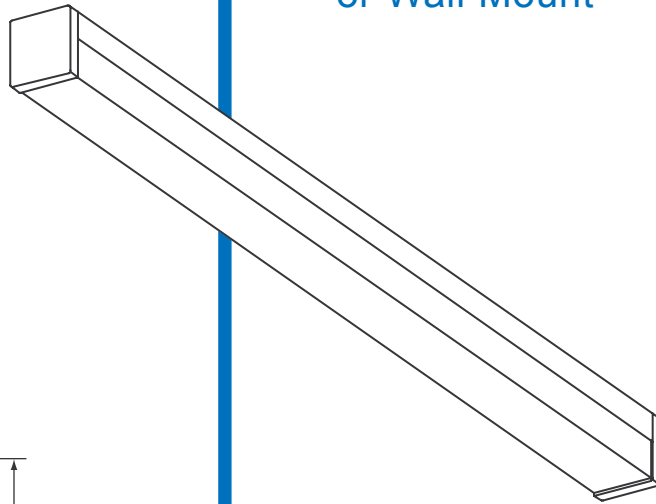


SERIES 182

Multi-Purpose Corridor
or Wall Mount



UNION MADE IN THE USA.

FEATURES:

- POST PAINTED HIGH REFLECTANCE POWDER COAT FINISH
- AVAILABLE WITH WHITE OPAL DIFFUSER OR CLEAR PRISMATIC ACRYLIC LENS
- SURFACE OR PENDANT CEILING / VERTICAL OR HORIZONTAL WALL MOUNT
- JOINS END TO END WITH OPTIONAL CHASE NIPPLE
- AVAILABLE IN OPTIONAL COLORS
- UNIQUE LENS LOCKING SYSTEM

ORDERING:

NOMINAL SIZE	LAMPS	CATALOG NUMBER
4" X 2'	1-FO17	182-* -124T8
4" X 3'	1-FO25	182-* -136T8
4" X 4'	1-FO32	182-* -148T8
4" X 2'	2-FO17	182-* -224T8
4" X 3'	2-FO25	182-* -236T8
4" X 4'	2-FO32	182-* -248T8
4" X 6'	2-FO25	182-* -136-2T8
4" X 8'	2-FO32	182-* -148-2T8
4" X 6'	4-FO25	182-* -236-2T8
4" X 8'	4-FO32	182-* -248-2T8

INSERT VOLTAGE AT END OF CATALOG NUMBER

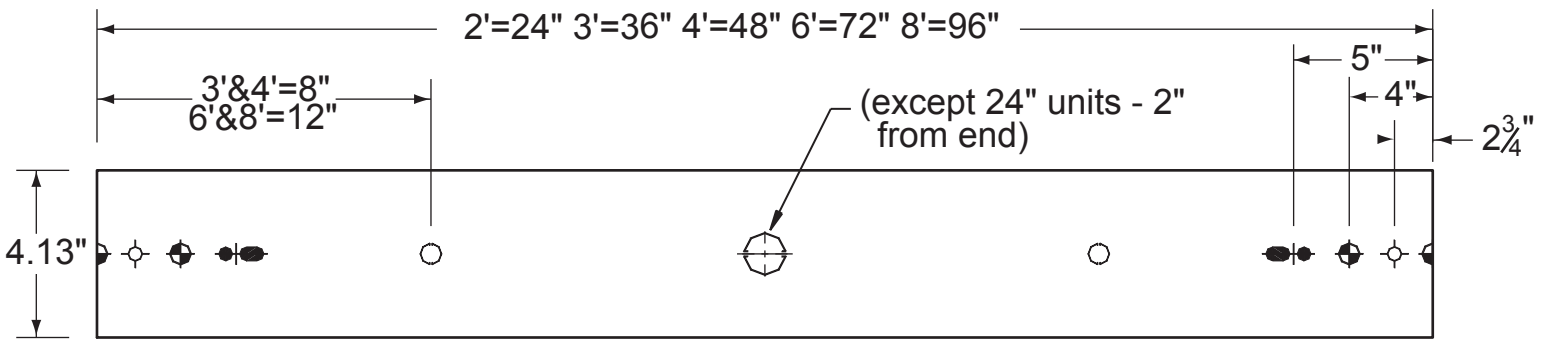
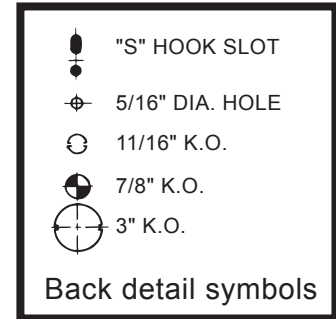
NOTES:

1. * SPECIFY A FOR OPAL ACRYLIC DIFFUSER OR P FOR CLEAR PRISMATIC LENS WITH LINEAR SIDE PRISMS
2. EIGHT FOOT FIXTURES PROVIDED WITH 2 FOUR FOOT LENSES

MANUFACTURING
1715 KIBBY ROAD - MERCED - CALIFORNIA - 95340
(209) 723-9120 - FAX: (209) 723-9131

SALES OFFICE
14722 WICKS BLVD. - SAN LEANDRO - CALIFORNIA - 94577-6718
(510) 667-6950 - FAX: (510) 667-6959

BACK DETAIL



NOTES:
 WITH END CAPS OVERALL LENGTH OF 182 SERIES IS 3/4" GREATER THAN SHOWN
 11/16" KNOCK OUT NOT SUPPLIED ON 2' UNITS.
 NO 3" KNOCK OUT IN 2' UNITS.

NOTE
 All fixtures must be installed, wired and grounded in accordance with the National Electric Code and all other applicable codes.

!!! WARNING !!!
 RISK OF FIRE OR ELECTRICAL SHOCK. ELECTRICAL PARTS MAY BE DAMAGED WHEN DRILLING OR USING "TEK" SCREWS FOR INSTALLATION OF MOUNTING HARDWARE. CHECK ENCLOSED WIRING AND COMPONENTS. USE CAUTION WHEN DRILLING "TEK" SCREWS INTO A BLIND AREA. TO PREVENT WIRING DAMAGE DO NOT EXPOSE WIRING TO SHARP EDGES.

