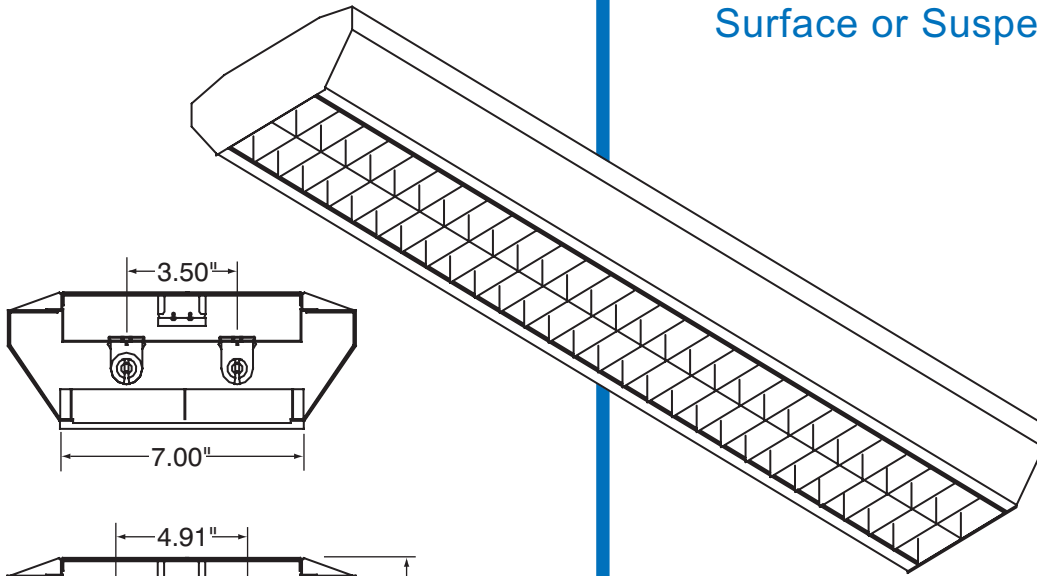


SERIES 172

Linear Direct/Indirect
Surface or Suspended Mount



UNION MADE IN THE USA.

FEATURES:

- DISTRIBUTION OPTIONS - DIRECT / INDIRECT AND TOTAL DIRECT
- PENDANT OR CABLE SUSPENSION SYSTEM NOT INCLUDED
- EASY CONTINUOUS ROW INSTALLATION WITH COUPLERS TO ENSURE STRAIGHT ROWS AND REDUCED LIGHT LEAK
- FACTORY INSTALLED BRANCH CIRCUIT WIRING (STANDARD) ELIMINATES TIME CONSUMING ELECTRICAL CONNECTIONS
- POST PAINTED HIGH REFLECTANCE POWDER COAT FINISH

ORDERING:

NOMINAL SIZE	LAMPS	CATALOG NUMBER
11'X 4'	2-F032	172-248TB
11'X 8'	4-F032	172-248-2TB
11'X 16'	8-F032	172-248-2TB-2TB
11'X 4'	3-F032	172-348TB
11'X 8'	6-F032	172-348-2TB
11'X 16'	12-F032	172-348-2TB-2TB

INSERT VOLTAGE AT END OF CATALOG NUMBER

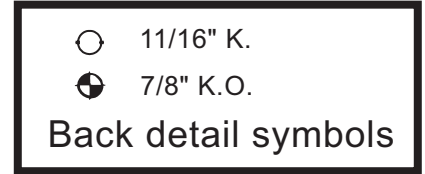
NOTES:

1. SUSPENSION MOUNTING SYSTEM OPTIONAL
2. TB IS STANDARD FOR THD OR TS STANDARD OUTPUT PLEASE SPECIFY WHEN ORDERING
3. LOWER STANDARD - OPAL OVERLAY OPTIONAL PLEASE SPECIFY
4. FOR UP LIGHT OPTION ADD "U" TO EXISTING PART NUMBER
EXAMPLE: 172U-248TB

MANUFACTURING
1715 KIBBY ROAD - MERCED - CALIFORNIA - 95340
(209) 723-9120 - FAX: (209) 723-9131

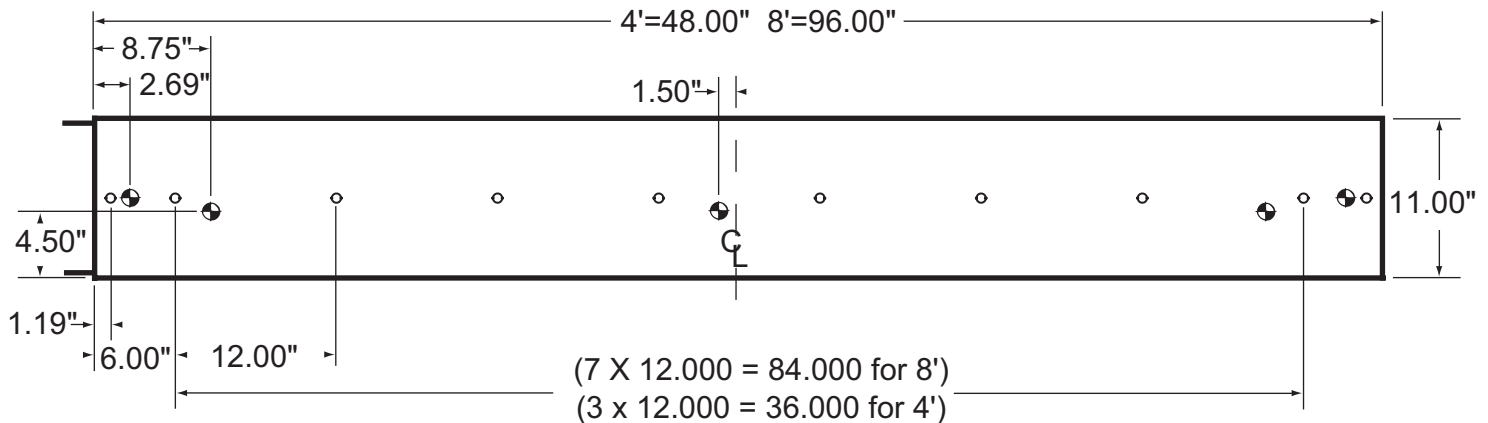
SALES OFFICE
14722 WICKS BLVD. - SAN LEANDRO - CALIFORNIA - 94577-6718
(510) 667-6950 - FAX: (510) 667-6959

BACK DETAIL



NOTE:

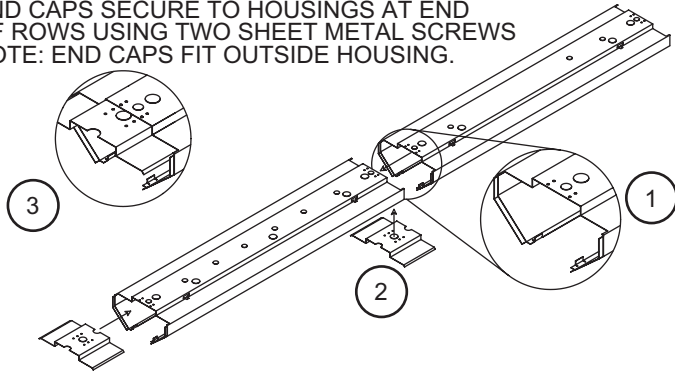
HOUSINGS ARE 1/2" LONGER THAN SHOWN TO ACCOMMODATE INTEGRATED COUPLER.



HOUSING INSTALLATION:

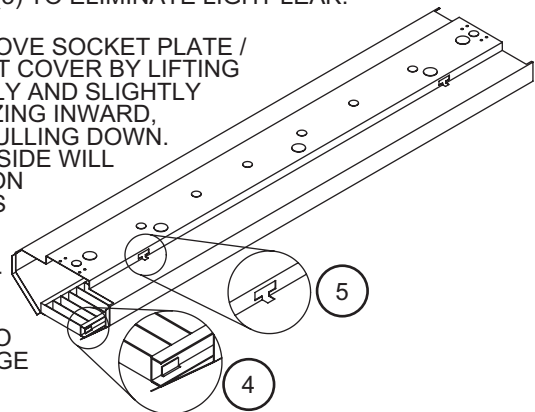
HOUSINGS ARE INSTALLED IN CONTINUOUS ROWS. COUPLERS ARE INTEGRATED INTO THE HOUSING (1) AND SLIDE INTO SUCCEEDING HOUSINGS WHILE INSTALLING HOUSINGS. ONCE TWO HOUSINGS ARE INSTALLED SECURE THE TOP COUPLER (2) USING 4 SHEET METAL SCREWS. END OF ROW REQUIRES A COUPLER (3) TO ELIMINATE LIGHT LEAK.

END CAPS SECURE TO HOUSINGS AT END OF ROWS USING TWO SHEET METAL SCREWS
NOTE: END CAPS FIT OUTSIDE HOUSING.



INSTALLATION NOTES

(5) REMOVE SOCKET PLATE / BALLAST COVER BY LIFTING SLIGHTLY AND SLIGHTLY SQUEEZING INWARD, THEN PULLING DOWN. OTHER SIDE WILL HINGE ON T-SLOTS
NOTE:
A SCREW-DRIVER MAY BE USED TO DISLodge COVER



LOUVER INSTALLATION:

INSTALL LOUVER ASSEMBLIES BY LIFTING INTO HOUSING AND DROPPING ONE SIDE ONTO RETAINING TABS (4) - THEN SITUATE LOUVER ASSEMBLY TO DROP ONTO OTHER SIDES TABS. HOUSING MAY NEED TO BE FLEXED SLIGHTLY IN ORDER TO ALIGN HOUSING TABS AND LOUVER SLOTS.

NOTE

All fixtures must be installed, wired and grounded in accordance with the National Electric Code and all other applicable codes.

!!! WARNING !!!

RISK OF FIRE OR ELECTRICAL SHOCK. ELECTRICAL PARTS MAY BE DAMAGED WHEN DRILLING OR USING "TEK" SCREWS FOR INSTALLATION OF MOUNTING HARDWARE. CHECK ENCLOSED WIRING AND COMPONENTS. USE CAUTION WHEN DRILLING "TEK" SCREWS INTO A BLIND AREA. TO PREVENT WIRING DAMAGE DO NOT EXPOSE WIRING TO SHARP EDGES.

