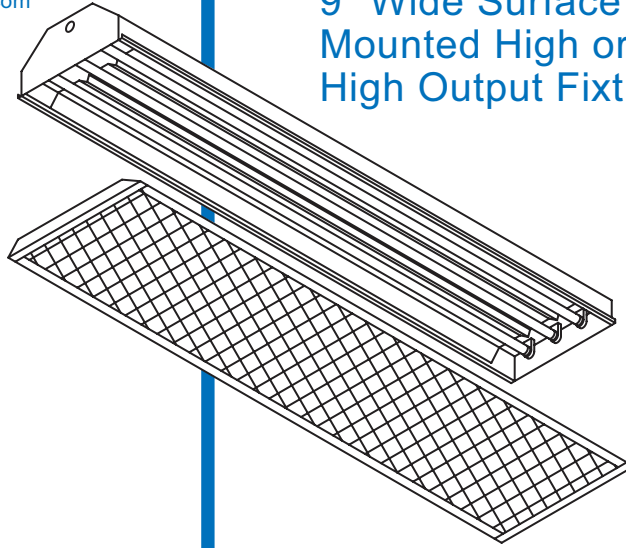
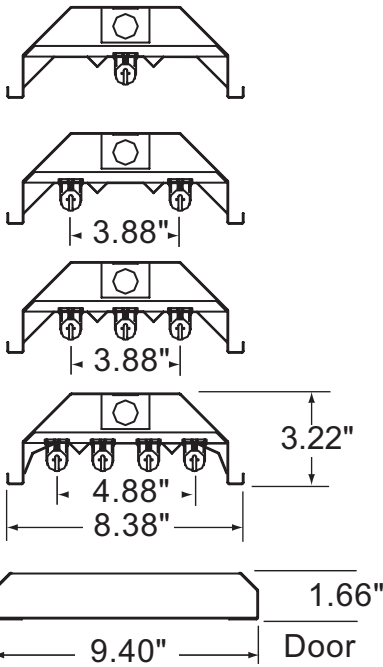


# SERIES 152

9" Wide Surface or Pendant  
Mounted High or Low Bay  
High Output Fixture



UNION MADE IN THE USA.



## FEATURES:

- 1, 2, 3 OR 4 T5 LAMPS IN CROSS SECTION  
OR  
1, 2 OR 3 T8 LAMPS IN CROSS SECTION
- POST PAINTED HIGH REFLECTANCE  
WHITE POWDER COAT FINISH - HOUSING  
STANDARD
- HIGH REFLECTANCE MIRO4 - REFLECTOR  
STANDARD
- AVAILABLE WITH LIFT AND SHIFT DOOR
- DOOR AVAILABLE WITH WIRE GUARD,  
LENS OR BOTH
- COMPATIBLE WITH SURFACE, PENDANT  
OR CABLE MOUNTING SYSTEMS

## ORDERING:

NOMINAL SIZE	LAMPS	CATALOG NUMBER
9"X 4'	1-F054	152-148T5-HO
9"X 4'	2-F054	152-248T5-HO
9"X 4'	3-F054	152-348T5-HO
9"X 4'	4-F054	152-448T5-HO
9"X 8'	2-F054	152-148-2T5-HO
9"X 8'	4-F054	152-248-2T5-HO
9"X 8'	6-F054	152-348-2T5-HO
9"X 8'	8-F054	152-448-2T5-HO
9"X 4'	1-F032	152-148T8
9"X 4'	2-F032	152-248T8
9"X 4'	3-F032	152-348T8
9"X 8'	2-F032	152-148-2T8
9"X 8'	4-F032	152-248-2T8
9"X 8'	6-F032	152-348-2T8

INSERT VOLTAGE AT END OF CATALOG NUMBER





## NOTES:

1. ALSO AVAILABLE IN T5 STANDARD  
OUTPUT CONSULT FACTORY
2. T8 NOT AVAILABLE IN 4-LIGHT  
VERSION

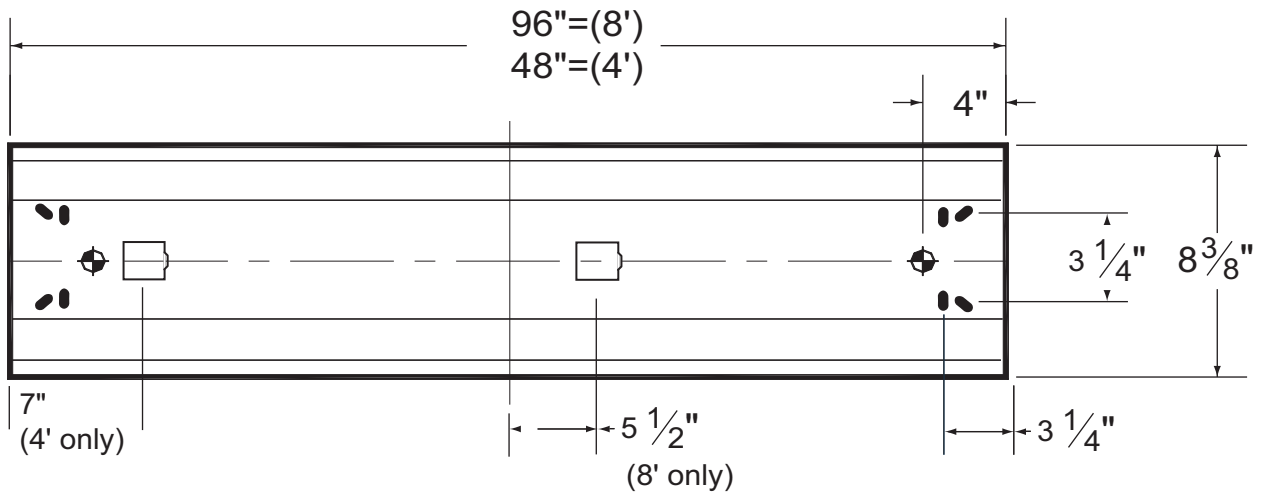
MANUFACTURING  
1715 KIBBY ROAD - MERCED - CALIFORNIA - 95340  
(209) 723-9120 - FAX: (209) 723-9131

SALES OFFICE  
14722 WICKS BLVD. - SAN LEANDRO - CALIFORNIA - 94577-6718  
(510) 667-6950 - FAX: (510) 667-6959

## BACK DETAIL

	DOTTIE SLOT
	7/8" K.O.
	11/16" K.O.
	WIRE ACCESS COVER PLATE

Back detail symbols



**NOTE**  
All fixtures must be installed, wired and grounded in accordance with the National Electric Code and all other applicable codes.

**!!! WARNING !!!**  
RISK OF FIRE OR ELECTRICAL SHOCK. ELECTRICAL PARTS MAY BE DAMAGED WHEN DRILLING OR USING "TEK" SCREWS FOR INSTALLATION OF MOUNTING HARDWARE. CHECK ENCLOSED WIRING AND COMPONENTS. USE CAUTION WHEN DRILLING "TEK" SCREWS INTO A BLIND AREA. TO PREVENT WIRING DAMAGE DO NOT EXPOSE WIRING TO SHARP EDGES.

